

The wires in the mains electrical lead are coloured in accordance with the following code:
 BLUE – Neutral (marked with an "N" in most terminal connections)
 BROWN – LIVE (marked with an "L" in most terminal connections)
 GREEN/YELLOW – EARTH (marked "E" or ⚡ in most terminal connections)

1st January 2005 revised Building Regulations for England and Wales
 Insulating this product in the garden is classified as "notifiable". The Regulations now require you to tell your local authority building control department that you intend to install this product before installation. Your local authority will let you know how you can get your installation approved

The termination to the mains supply should be permanent, inside a dry weatherproof enclosure, through a double pole switched fused spur with a minimum contact gap of 3mm – (disconnected) to BS 3676 – and fitted with a 3 or 5 amp fuse.
 Exposed cable runs should be sensibly positioned, and protected if necessary by armoured conduit.

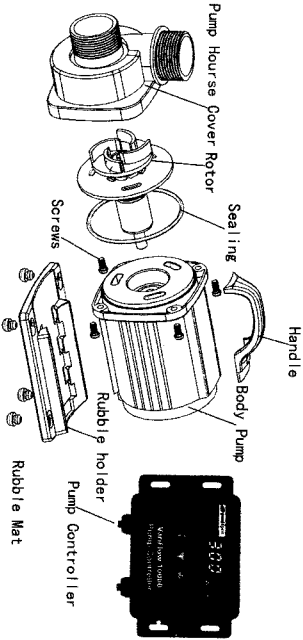
A 10mA or 30mA Residual Current Circuit Breaker (RCD) MUST be fitted to the mains supply. Permanent installations to the mains supply (hard wiring) must comply with the regulations of the local electricity authority which may stipulate the use of metal or plastic conduit to protect the cable.

If in any doubt about wiring to the mains supply contact a qualified electrician or your local electricity authority.
 Protect from frost. In cold winter weather (when fish are inactive and algae growth ceases) the pump may be switched off. It should then be drained of water, removed (if possible) from its installation and stored in a dry, frost-protected area.

Directions for use

Installation
 Once installed the pond water will flow through the pump as the pump's impeller draws in water. It is always best to position your pump at the opposite end to where the water returns to the pond to provide maximum circulation.

Your pond is supplied with a hoseetail. This should be screwed into the threaded pump inlet. Pond hose size 20-50mm (3/4" to 2") can be attached to the inlet hoseetail (depending on model). Cut the inlet hose to the size appropriate to the size of hose you are using. Then connect the hose from your pump to your filter system or position it where you want the water to return. Ensure a watertight seal by the use of hoseclips.



MAINTENANCE

To clean the pump, remove the back cover, sealing cover and the rotor/impeller. Use a small brush or stream of water to remove any debris. Note: pump shaft can not be removed. If the pump does not work, check the following:

- Check the circuit. Please try unit on another power socket.
 - Check the pump outlet and tube. Algae and dirt may block them up
 - Check the inlet to ensure not clogged by debris.
 - Remove the pump inlet to access the impeller. Turn the rotor to check if broken or jammed.
 - Monthly maintenance prolongs your pump's life. Clean rotor, remove the dirt, etc.
- NOTE: Ensure the electrical cord loops below the power socket like a "Drip Loop". It will prevent the water from running around the cable into the power socket

Limited Warranty

This product is guaranteed for a period of 12 months (excluding rotor assembly) from the date of purchase for material or manufacturing defects. The guarantee covers the substitution of defective parts. However, the guarantee is considered null and void in the case of improper use, improper handling or negligence on the part of the buyer. If your pondxpert pump fails please take it back to the retail outlet from where it was purchased. You will be required to take your receipt/proof of purchase with you. This does not affect your statutory rights.

Pondxpert
 A3 Bentley Avenue
 Billingham
 TS23 4BU
 UK
 01642 370898
 www.pondxpert.co.uk



Your appliance contains valuable materials which can be recovered or recycled. Leave it at a local civic waste collection point.