

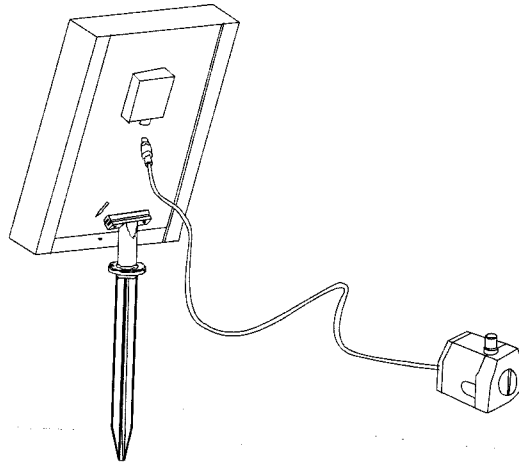
PondXpert Solar Shower 150

This instruction contains important information for using the product for the first time. Please keep this instruction for later reference. They should always accompany the product in the Event of transfer a new user.

1. INTRODUCTION

Thank you for purchasing the solar pump. These instructions should be read before use then stored for future reference.

You have purchased a product that complies with the latest and most up-to-date solar technology available. The solar pump has been designed for fountain, pond or outdoor use; the Pump drives its power from a solar module directly. To operate, the solar module needs to be placed in direct sunlight. The performance of the pump depends on the season & position of the solar module.



2. ASSEMBLING AND USING YOUR PRODUCT

Unpack all components carefully.

Unroll the pump cable

Place the pump underwater making sure that when the pump operates, it is fully immersed underwater.

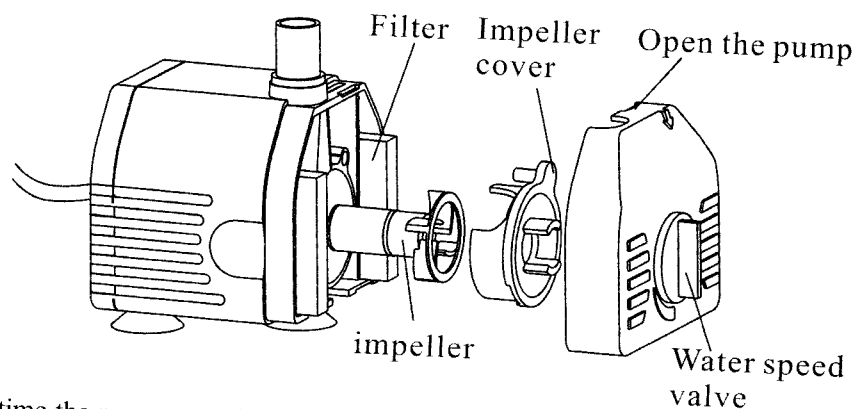
Use up to a flexible PVC tube (Not supplied) to ensure the fountainhead stays above the surface of water, and enough to lift water to the place you need. If this is not enough then the pump must be raised (e.g. Use stones or bricks to raise the pump) insert the connector into the rear of module; the solar pump is now ready to operate.

3. WARNING

- 3.1. For safety reasons and in order to maintain good quality you are prohibited from altering or changing any component in the solar pump.
- 3.2. Do not connect the pump to any AC voltage power; it is for DC voltage power only.
- 3.3. Do not pump flammable liquids
- 3.4. Do not use the pump with water above 35 Deg C.
- 3.5. Do not strike the solar panel
- 3.6. Do not let the pump run dry
- 3.7. Do not lift the pump by the power cord.
- 3.8. Operate in freshwater only

4. CLEANING AND MAINTENANCE

For the pump (6V DC):



If after some time the pump starts losing power or stops working you should check for the build up of sediment or scale in the filter or in the pump housing. The filter housing can be removed by pressing down on the bottom of the filter housing.

To clear the impeller, open the pump housing at the front by sliding up the front plastic cover.

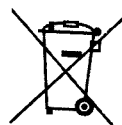
***The solar module should only be cleaned with soft tissue and propriety glass cleaning solution.**

5. FUNCTIONALITY PROBLEMS

- 4.1 Pump does not operate even though the solar module is in full sunlight.
- No connection to the solar module – check connection to the solar module.
 - Impeller is blocked – To clean the pump, remove the front plate and the impeller. Use a small brush or stream of water to remove any debris.
- 4.2 Pump does operate but there is no water running through the fountainhead check for the build up of sediment or scale in the tubes or the filter- clean the tubes and the filter.

6. TECHNICAL DATA

Operation voltage	6V DC
Solar module	1.4W
water projection height	0.3M
Water Lift Max	0.6M
Water flow	150L/H
Cable Length	5m



Your appliance contains valuable materials which can be recovered or recycled. Leave it at a local civic waste collection point.

7. WARRANTY

PondXpert
A3 Bentley Avenue
Billingham
TS23 4BU UK
01642 370898 www.pondxpert.co.uk

This product is guaranteed for a period of 12 months from the date of purchase for material or manufacturing defects. The guarantee covers the substitution of defective parts. If your pondXpert pump fails please take it back to the retail outlet from where it was purchased. You will be required to take your receipt/proof of purchase with you. This does not affect your statutory rights.